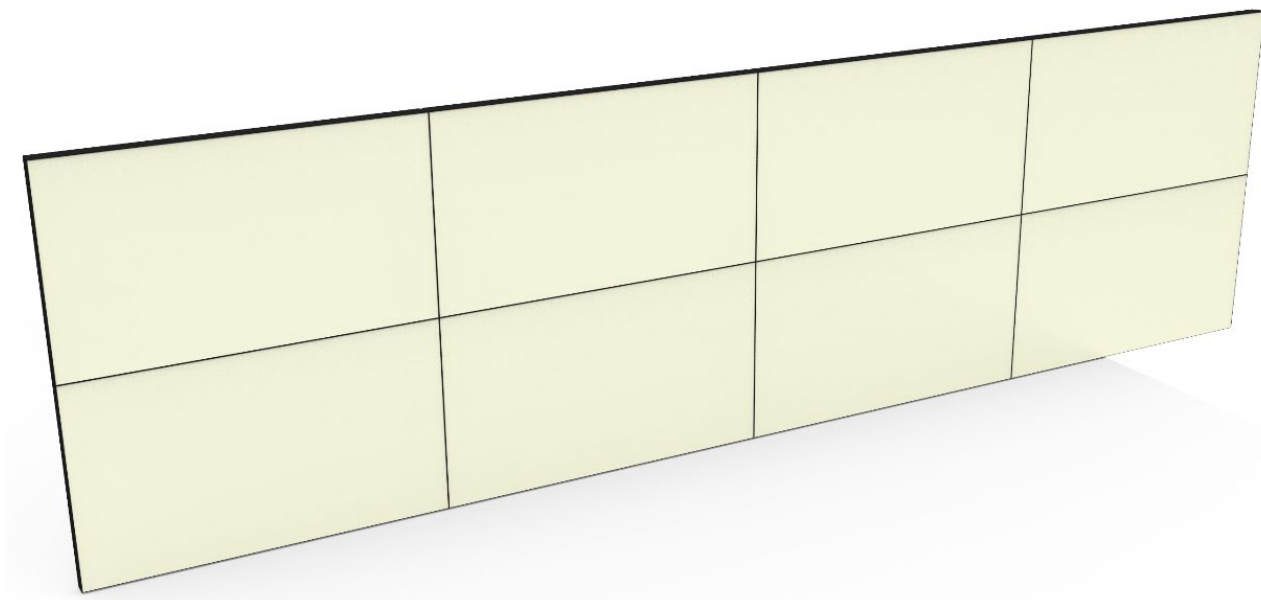




4x2 46 Inch Narrow Bezel Landscape Video Wall



Model: NBL42V-460L-310-GOB, Landscape

- ✓ 3.8mm Thin Bezels
- ✓ High Resolution Displays
- ✓ Commercial Landscape Mount Solution
- ✓ Remote Hardware Maintenance Module
- ✓ Lightweight Aluminum Back Panel
- ✓ Compliance: UL60625 Certified
- ✓ Front Protective Glass

Proprietary Notice

The information disclosed herein contains proprietary rights of Nanov Display, Inc. (Nanov) and is confidential. Neither this document nor the information disclosed herein shall be reproduced or transferred to other documents. Nor shall the information be used or disclosed to others for manufacturing or any other purposes except as specifically authorized in writing by Nanov.

Copyright© 2022 Nanov Display, Inc. All rights reserved.

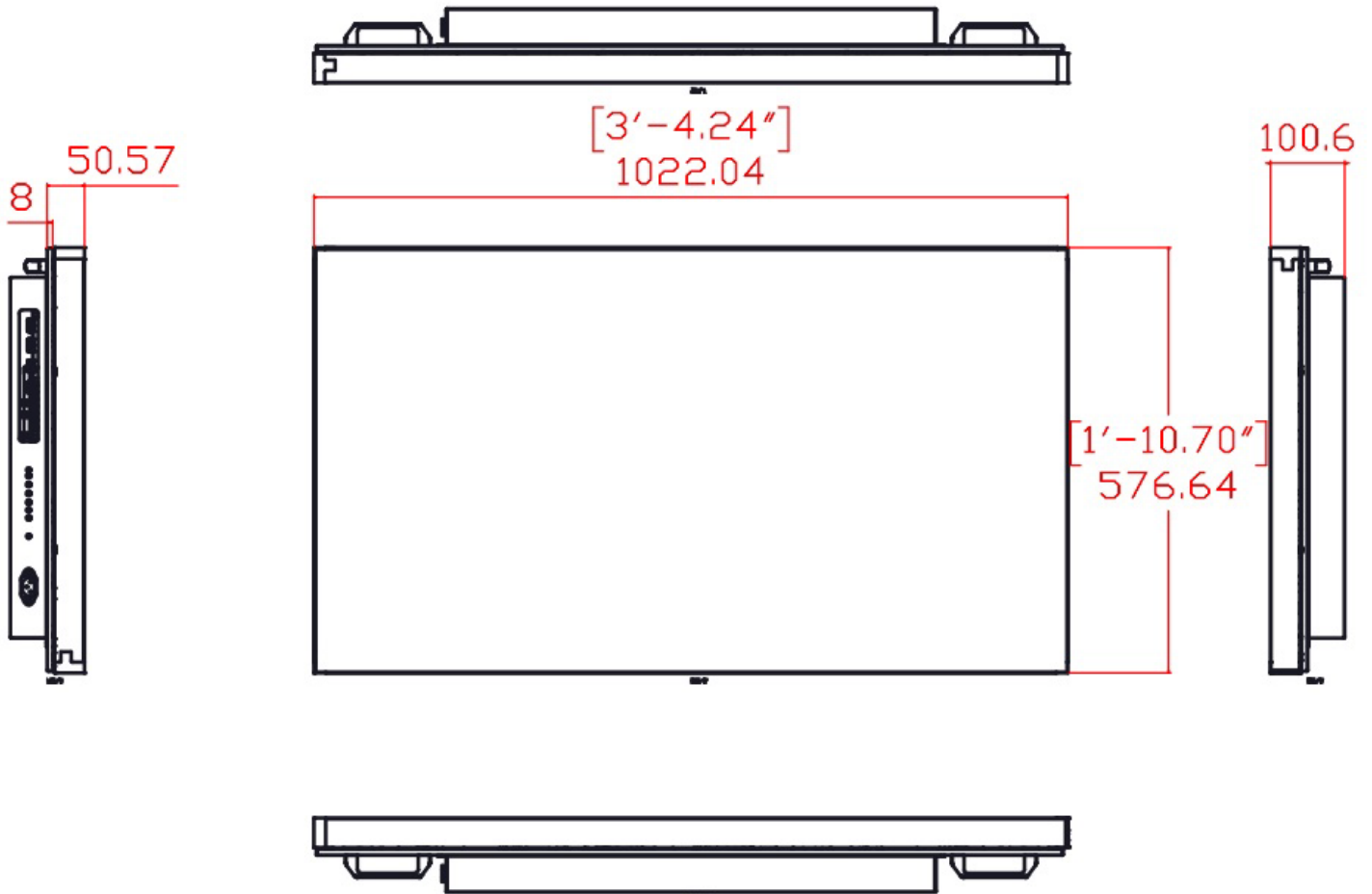
Screen

| Parameters | Specifications |
|----------------------------|---|
| Video Orientation | Landscape |
| Screen Active Area (H x V) | 1018.08mm x 572.67mm (3.34ft x 1.88ft) |
| Panel Dimensions (H x W) | 1022.04mm x 576.64mm (3.35ft x 1.89ft) |
| Resolution (H x V) | 1920 x 1080 Pixels |
| Bezel Size | 3.5mm |
| Color | 8-bit |
| Weight | 10.68kg (23.55lbs) |
| Display Operating Mode | Transmissive Mode, Normally Black |
| Viewing Angle | 89 Degrees |
| On Screen Display (OSD) | English (Default) |
| Response Time | 19 ms |

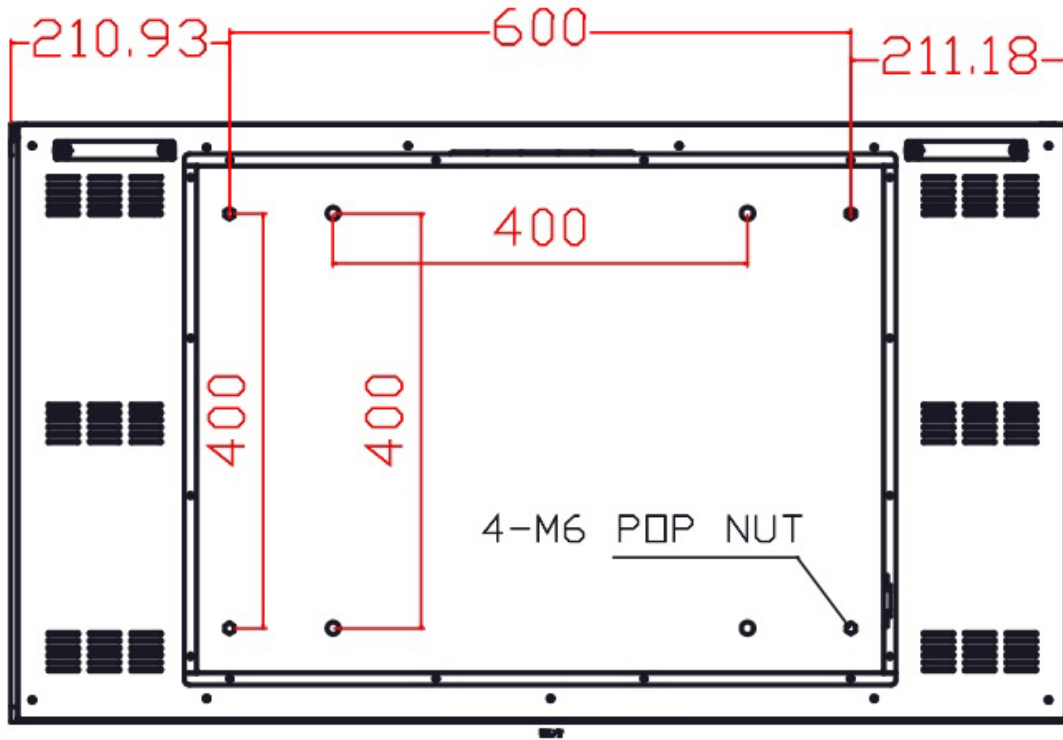
Video Wall Mount

| Parameters | Specifications |
|------------------------|----------------------|
| Dimensions (H x W x D) | 542mm x 620mm x 78mm |
| VESA Compatibility | Up to 600 x 400 |
| Max Load | 35kg (77.16lbs) |
| Material | Aluminum |
| Weight | 12.5kg (27.56lbs) |

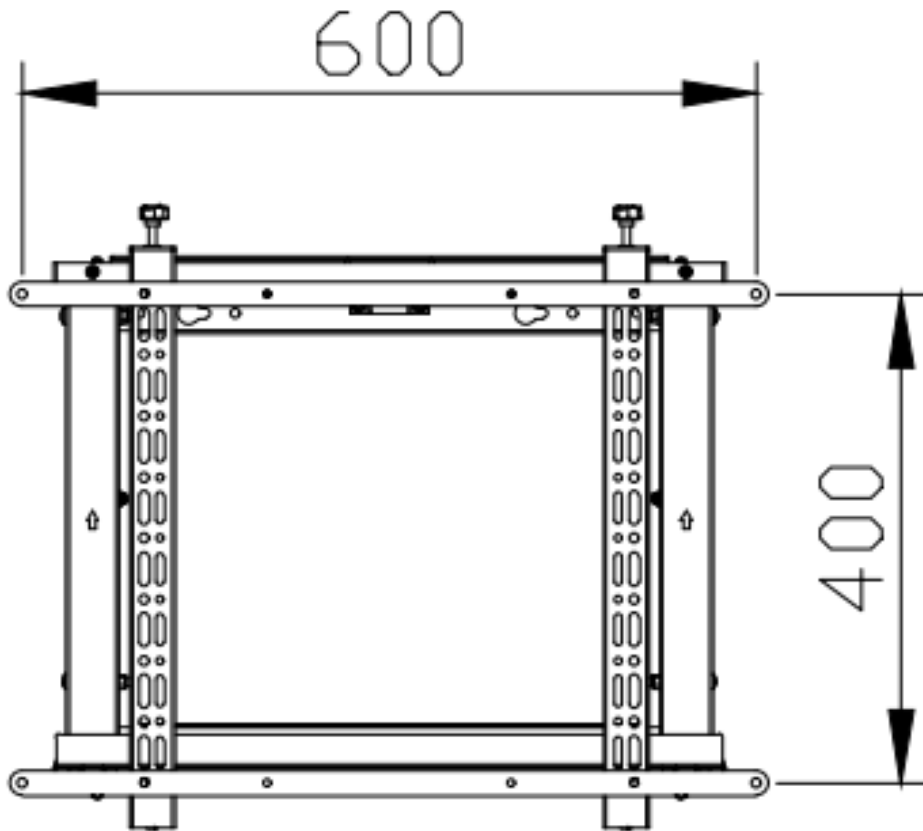
Physical Dimensions



Digital Information Display Landscape Model Front, Panel in mm/ft

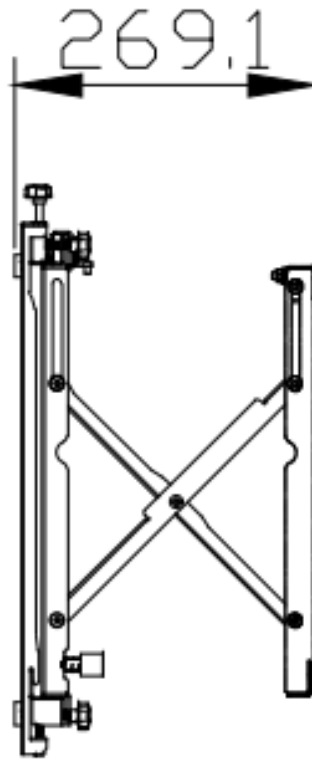


Digital Information Display Landscape Model Back, Mounting Screws in mm



Digital Information Display Landscape Model, Wall Mount Dimensions, Front in mm

83.5



Digital Information Display Landscape Model, Wall Mount Dimensions, Side and Extended in mm

Product Renderings



46" Digital Information Display, Front View



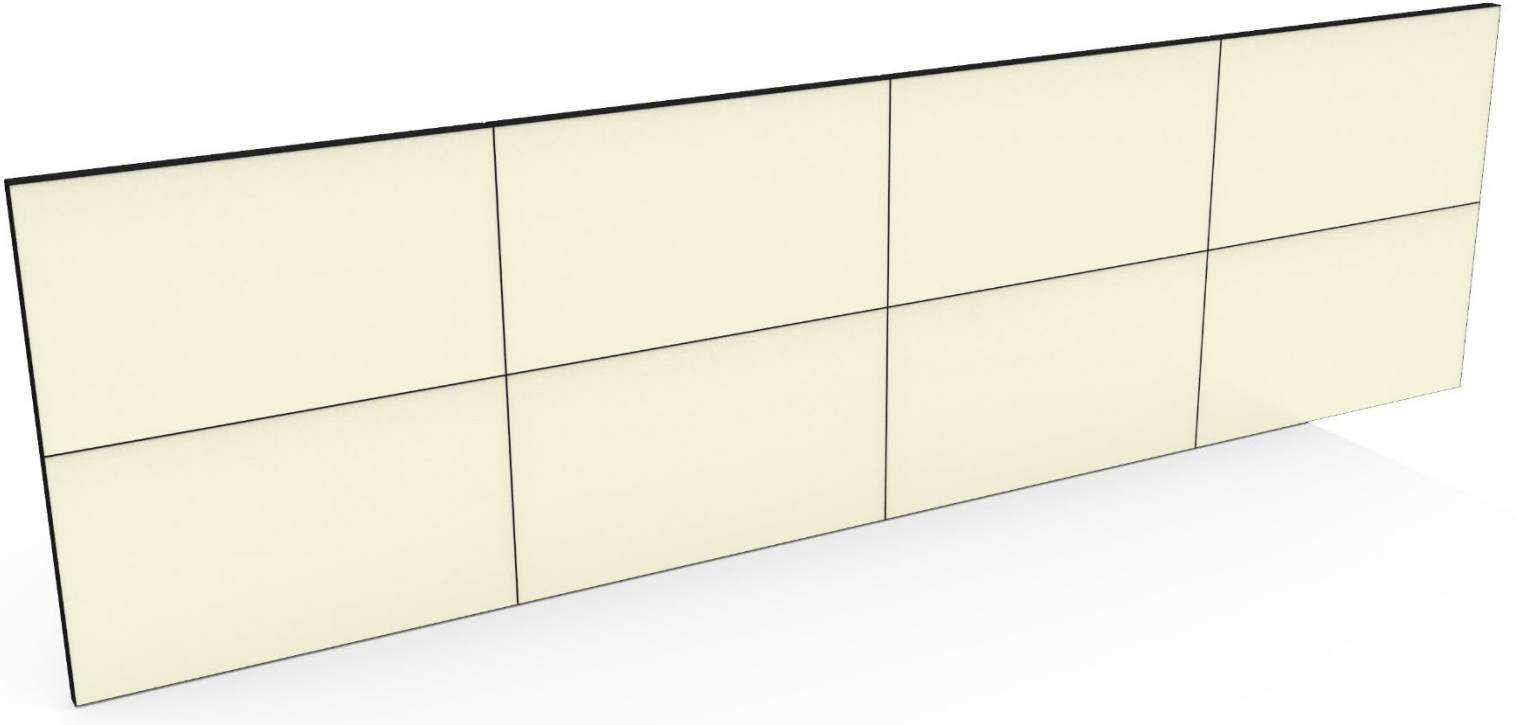
46" Digital Information Display, Rear View



46" Digital Information Display, Side View



Video Wall Mounting Bracket Concept Image



4x2 Video Wall Concept Image

NANOV DISPLAY INC.

141 Flushing Ave Unit 705
Brooklyn, NY 11205

www.nanov.info

Tel: 877 409-8844 | Fax: 305 967-7475

© 2022 Nanov Display Inc. All rights reserved.