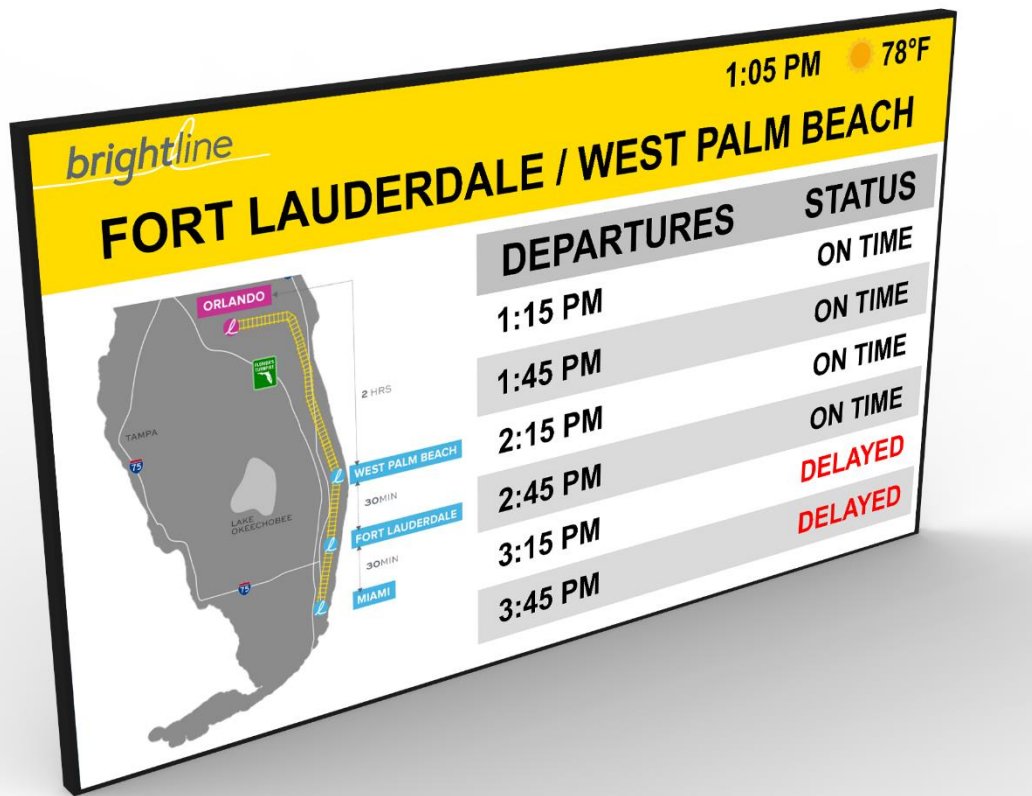




## 98 Inch Indoor Public Information Landscape Display



### Model: NBLSM-980L-100-GOB, Landscape

- ✓ Large Landscape 7ft by 4ft Digital Signage
- ✓ 4K High Resolution Display
- ✓ Commercial Landscape Mount Solution
- ✓ Remote Hardware Maintenance Module
- ✓ Lightweight Aluminum Back Panel
- ✓ Embedded Media Player
- ✓ Front Protective Glass

## **Proprietary Notice**

The information disclosed herein contains proprietary rights of Nanov Display, Inc. (Nanov) and is confidential. Neither this document nor the information disclosed herein shall be reproduced or transferred to other documents. Nor shall the information be used or disclosed to others for manufacturing or any other purposes except as specifically authorized in writing by Nanov.

Copyright© 2022 Nanov Display, Inc. All rights reserved.

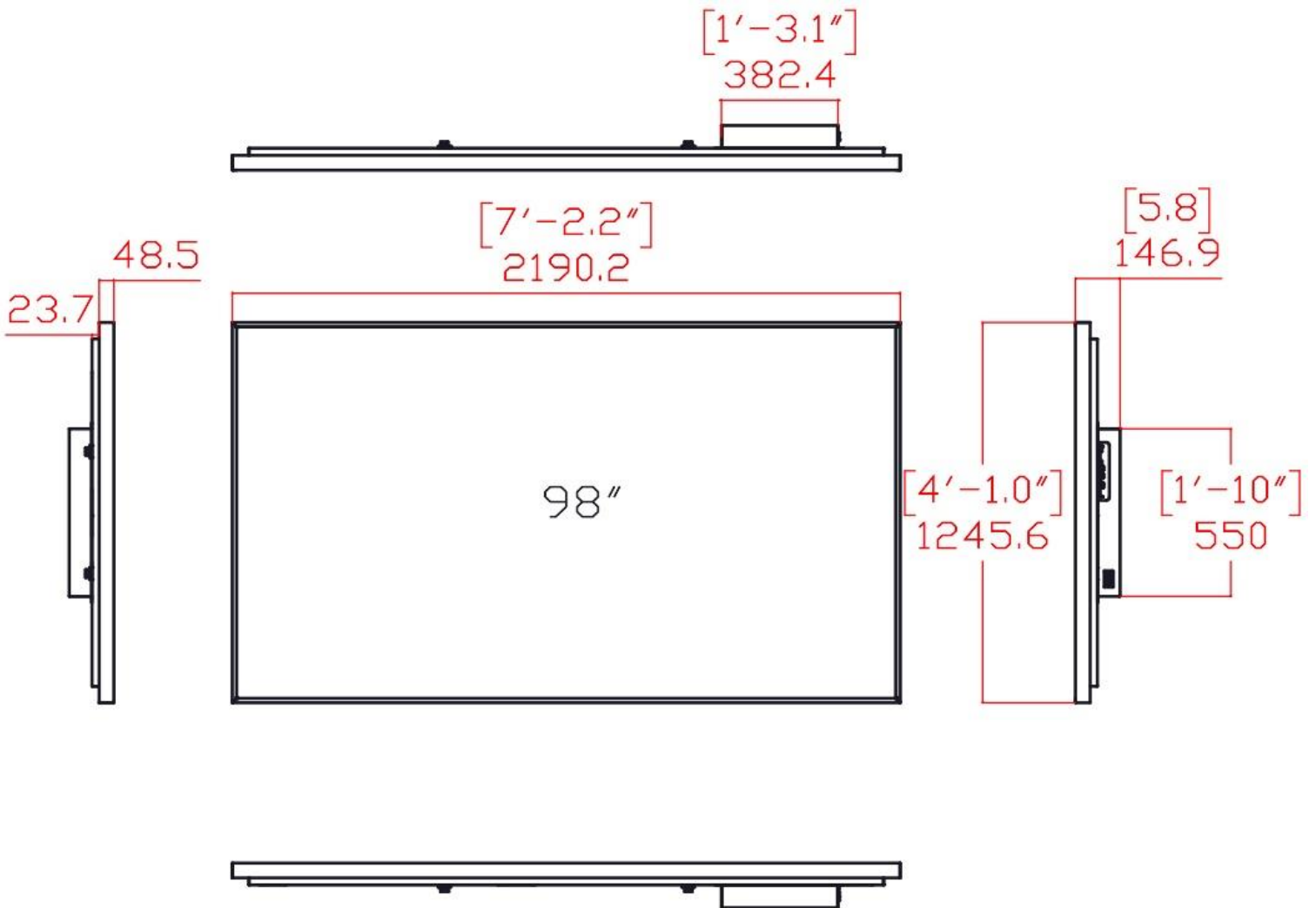
## Screen

| Parameters                 | Specifications                           |
|----------------------------|--|
| Video Orientation          | Landscape                                |
| Screen Active Area (H x V) | 2162mm x 1217mm<br>(7.09ft x 3.99ft)     |
| Panel Dimensions (H x W)   | 2190.2mm x 1245.6mm<br>(7.19ft x 4.09ft) |
| Resolution (H x V)         | 3840 x 2160 Pixels                       |
| Color                      | 10bit                                    |
| Weight                     | 59kg<br>(130lbs)                         |
| Display Operating Mode     | Transmissive Mode, Normally Black        |
| Viewing Angle              | 178 Degrees                              |
| On Screen Display (OSD)    | English (Default)                        |
| Response Time              | 1 ms                                     |

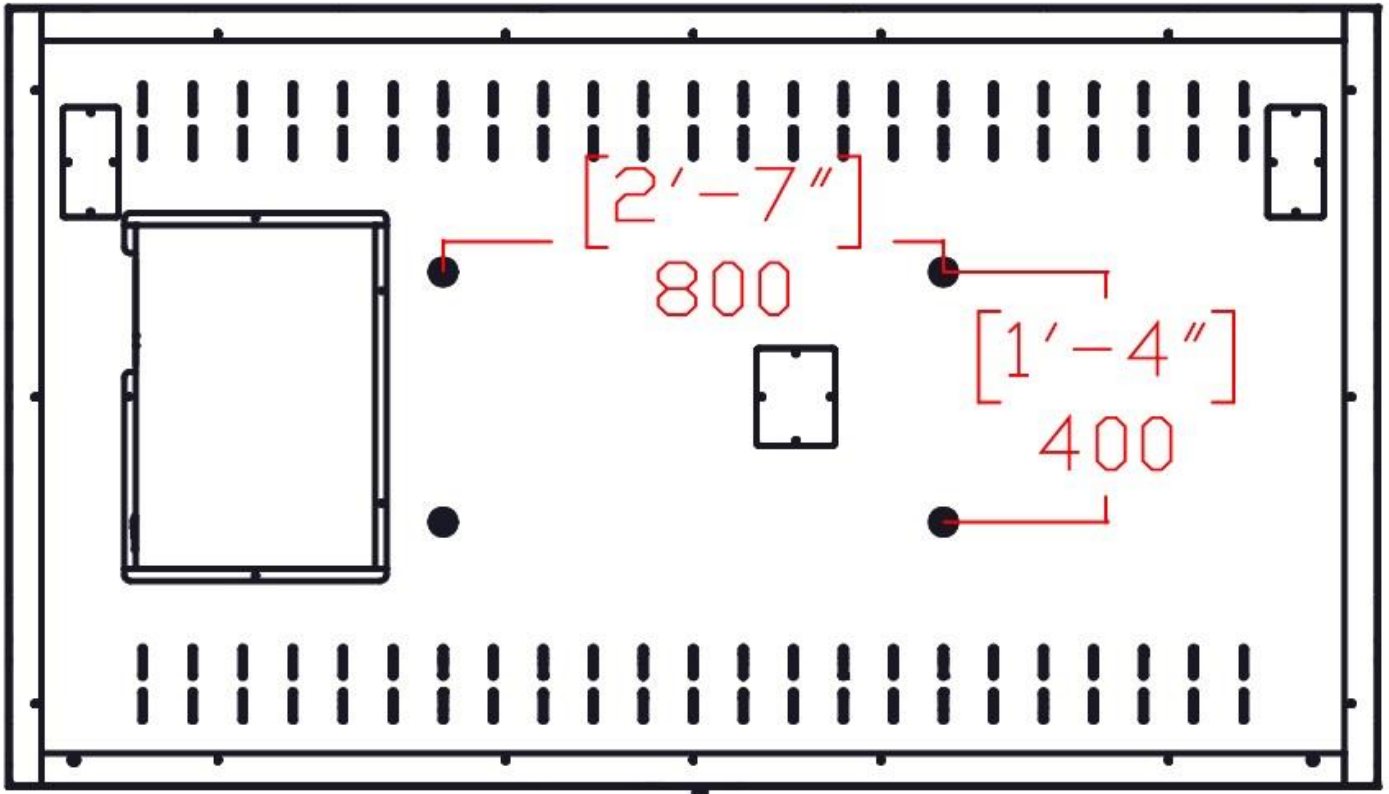
## Wall Mounting Bracket Design

| Parameters             | Specifications                                     |
|------------------------|--|
| Dimensions (H x W x D) | 554mm x 966mm x 82mm<br>(1.82ft x 3.17ft x 0.27ft) |
| Material               | Aluminum   |
| Features               | Lightweight, heavy duty                            |

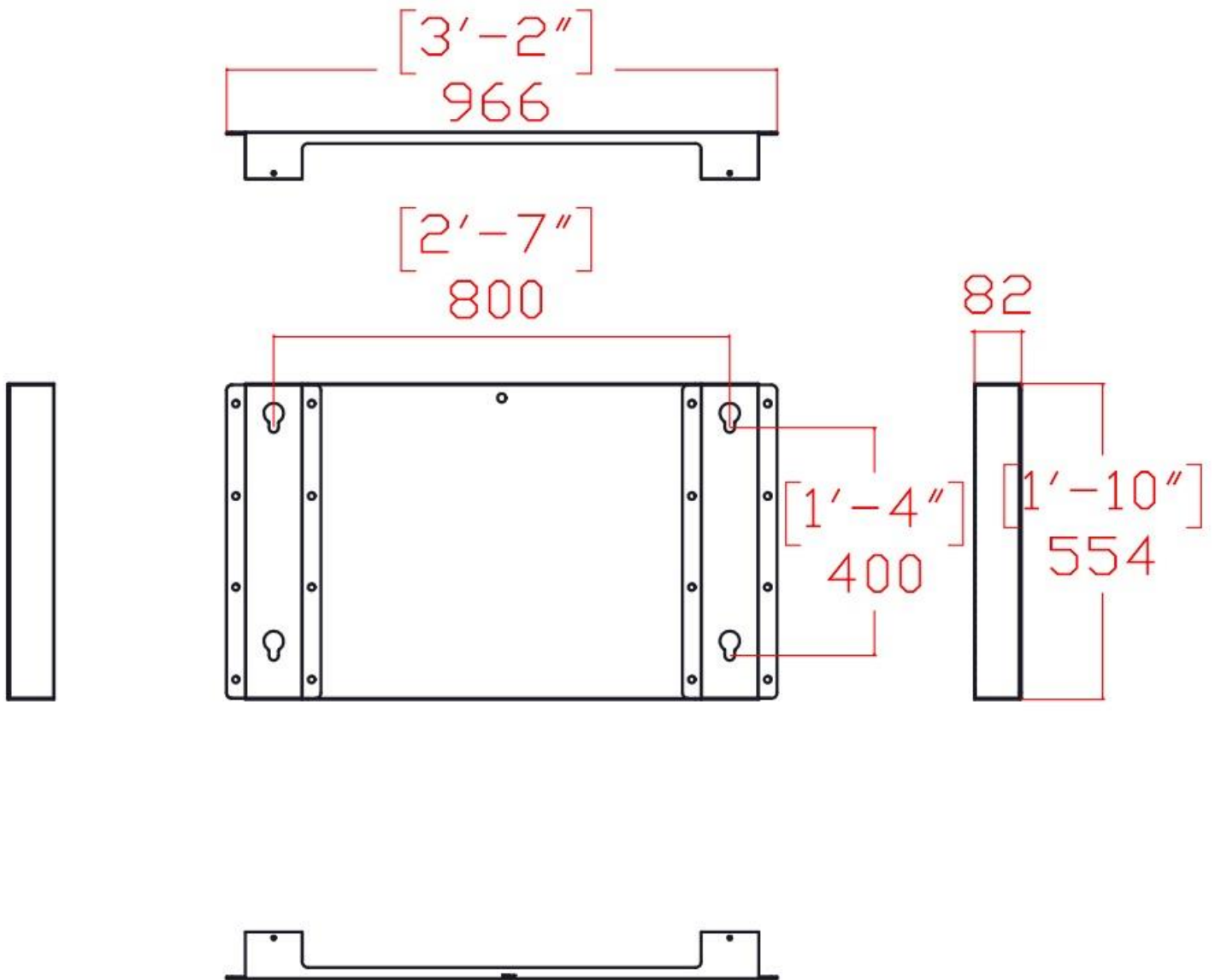
# Physical Dimensions



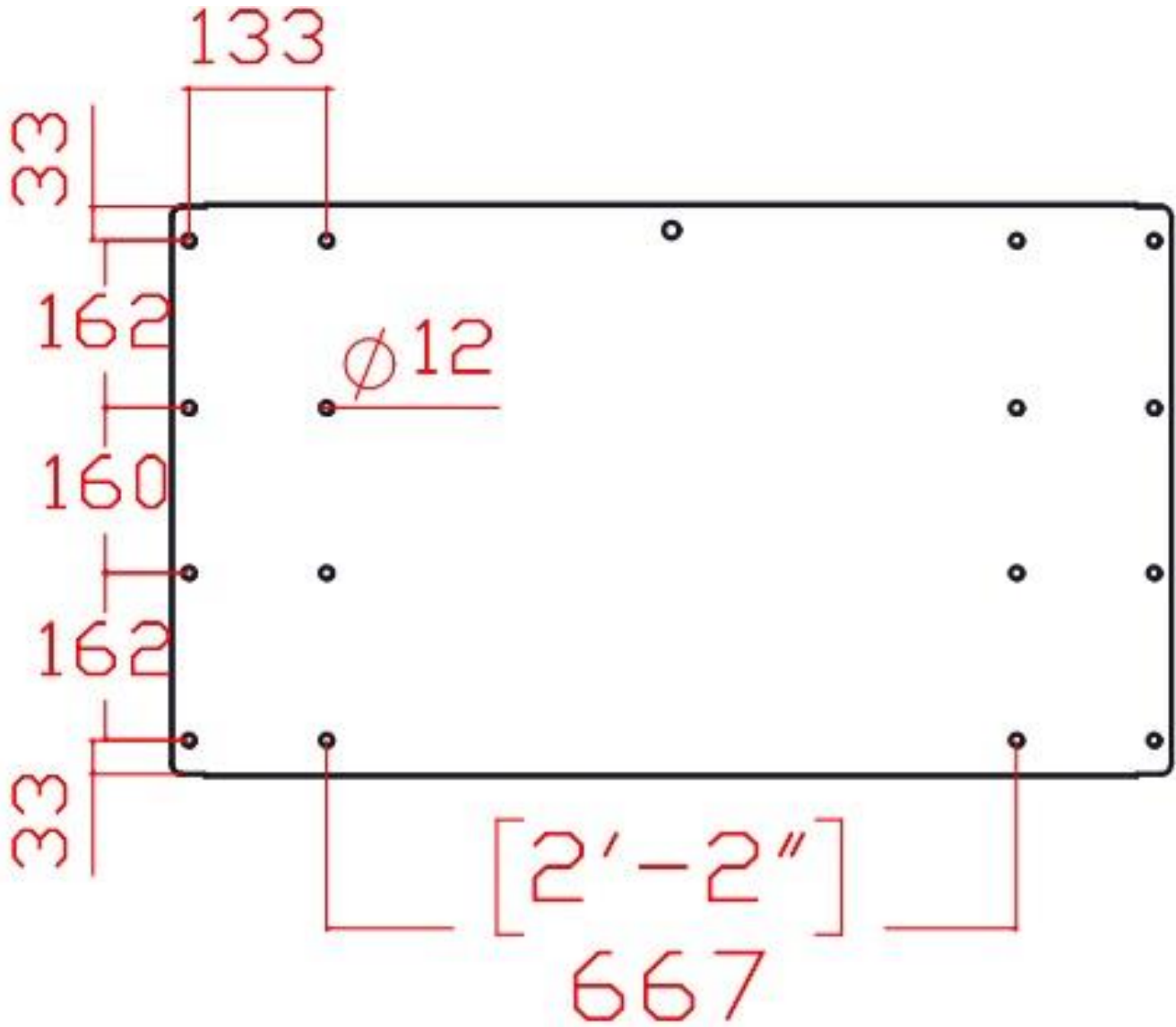
Digital Information Display Landscape Model Front, Panel Dimensions in mm/ft



Digital Information Display Landscape Model Back, Mounting Screws Dimensions in mm/ft

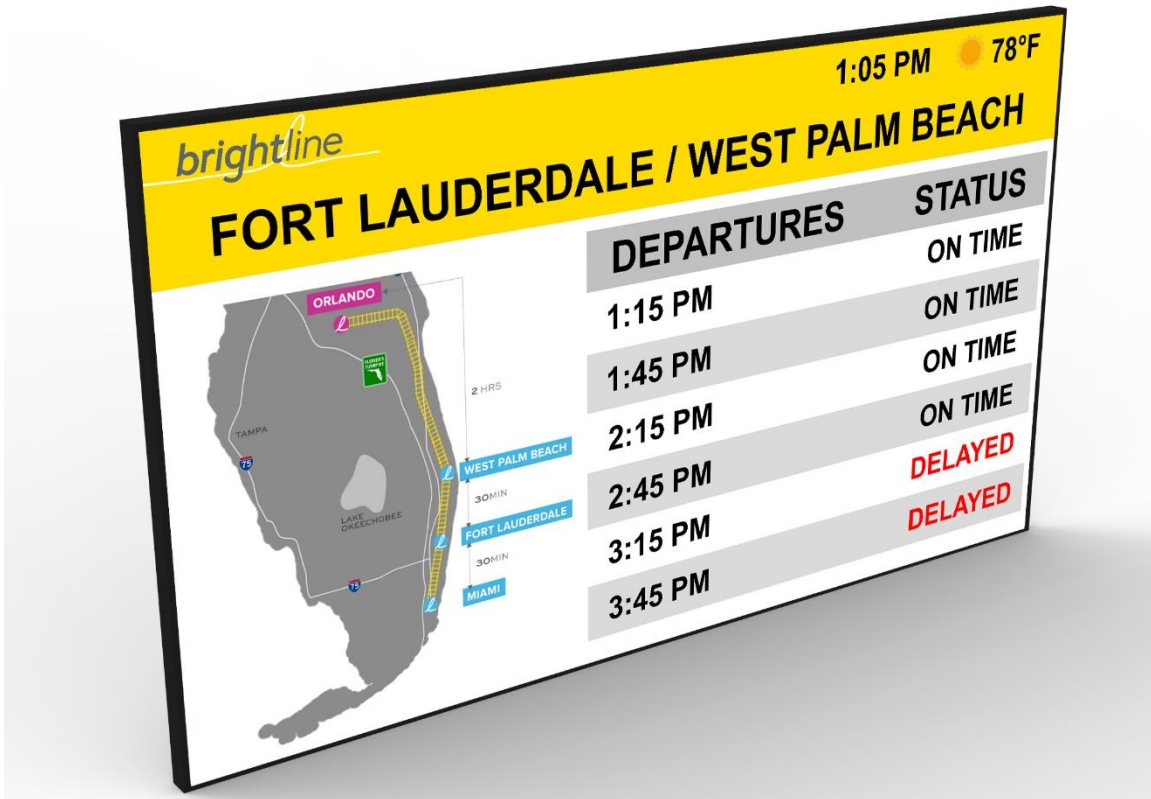


Digital Information Display Landscape Model Mount Bracket, Dimensions in mm/ft



Digital Information Display Landscape Model Back Mount Bracket, Dimensions in mm/ft

# Product Renderings

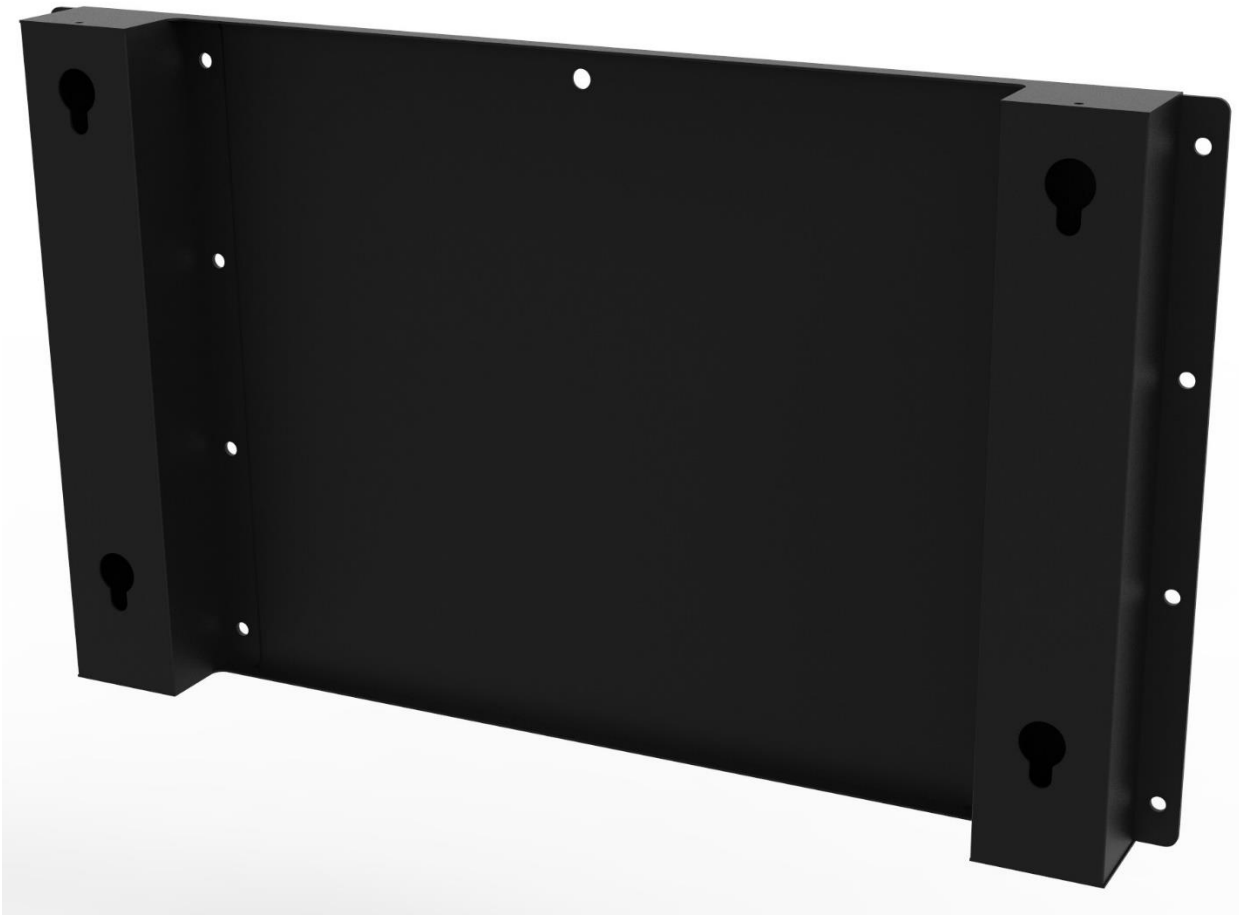


98" Digital Information Display, Front View





98" Digital Information Display, Back View



98" Digital Information Display Mounting Bracket Concept Image, Front view



98" Digital Information Display Mounting Bracket Concept Image, Installation

## **NANOV DISPLAY INC.**

141 Flushing Ave Unit 705

Brooklyn, NY 11205

[www.nanov.info](http://www.nanov.info)

Tel: 877 409-8844 | Fax: 305 967-7475